

1 2 3 4 5 6 7 8

A

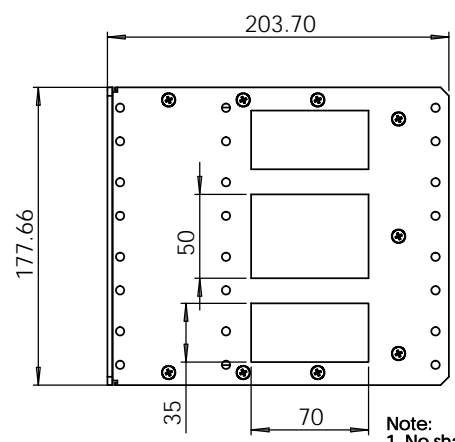
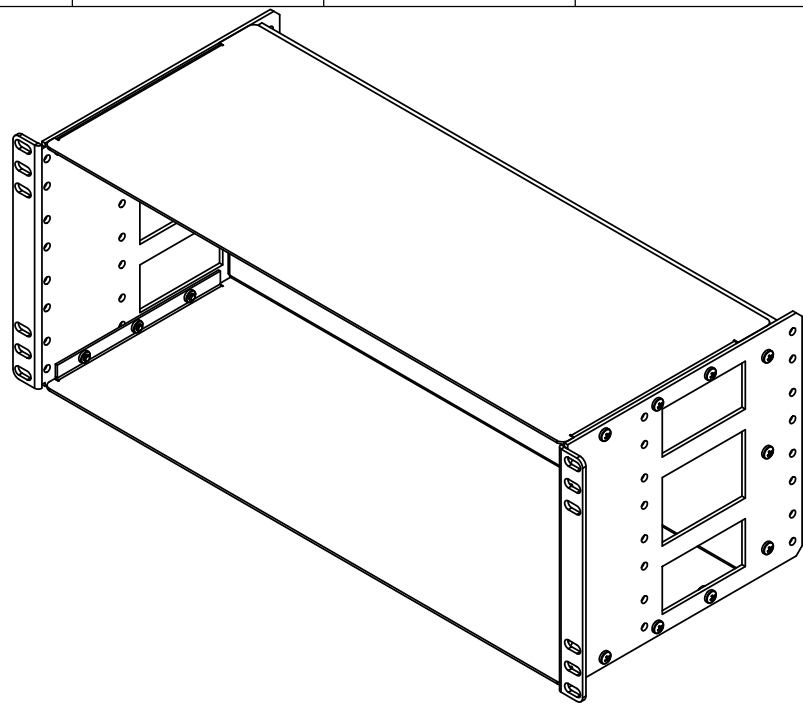
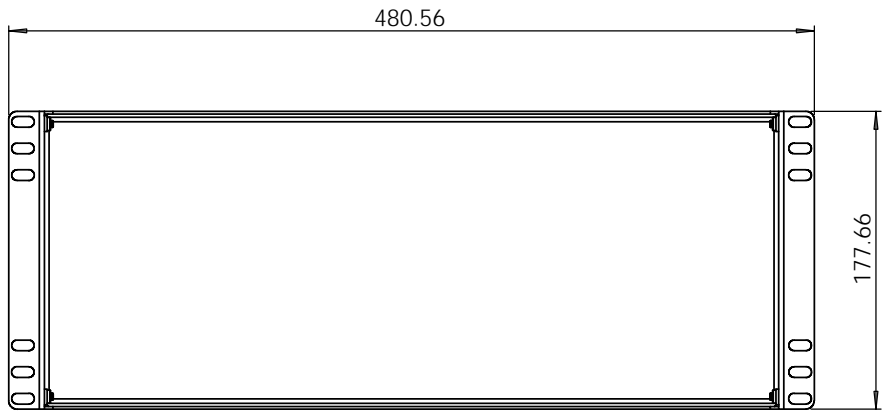
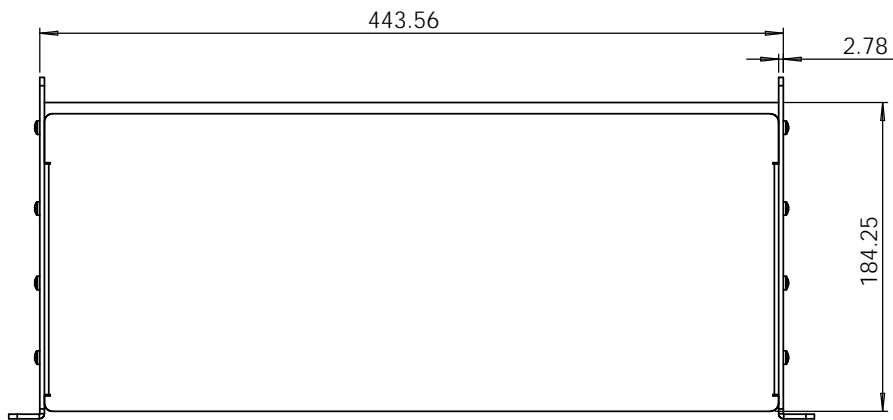
B

C

D

E

F



Note:
 1. No sharp edges.
 2. RoHS: Manufacturer must ensure that all components used must comply with RoHS Regulation.

PROJECT NO.	IRP208SB-4U	DRAWN		MATERIAL	12 Gauge (Ear) /14 Panle Gauge	UNSPECIFIED
MODEL	67947	APPV'D		FINISH	e-Coat Black / Black Power Coat	TOLERANCES: ±0.15
PART NO.	67947	DATE	5/21/2017	SCALE	1:5	SHEET 1 OF 1
PART NAME	4U Box	REVISION	V 1.0	PROJECTION	Third Angle	UNIT:mm

Industrial Automation & Enclosures
 A leading developer of industrial rackmount products
 TEL:(516)997-5050 FAX:(516)997-5784
 ©2016 IAE Inc /www.iaenclosures.com

CONFIDENTIAL DOCUMENT DO NOT COPY